



Hard Drive Enclosure
Festplattengehäuse
Caja Para Disco Duro
Châssis Pour Disque Dur

Hydra Super-S LCM

EN

DE

ES

FR

Manual
Handbuch
Manual
Manuel

E15-57811AA011
8/10/2011 - v1.0







For more detailed instructions, please download the PDF manual at
<http://www.akitio.com/support/user-manuals>

© 2011 by AKiTiO - All Rights Reserved

AKiTiO assumes no responsibility for any errors or differences between the product you may have and the one mentioned in this document and reserves the right to make changes in the specifications and/or design of this product without prior notice. The diagrams contained in this document are for reference and may not fully represent the real product.

Front View - Frontansicht Vista frontal - Vue de face

  Flashing green = Data access (read/write)

  Flashing red = System is starting up

Red = Error or empty drive bay

Blinkt grün = Datenzugriff (lesen/schreiben)

Blinkt rot = System ist am Starten

Rot = Error oder leerer Laufwerksschacht

Verde intermitente = Acceso a datos (lectura/escritura)

Rojo intermitente = El sistema se está iniciando

Rojo = Error o bahía de unidad vacía

Vert = Accès aux données (lecture/écriture)

Rouge clignotant = Système en train de s'allumer

Rouge = Erreur ou bac du lecteur vide

 Flashing yellow = Rebuilding data

Blinkt gelb = Am Wiederherstellen der Daten

Amarillo intermitente = Reconstruyendo datos

Jaunes clignotant = Reconstruction données

Select

Select menu or mode

Wähle Menü oder Betriebsart aus

Seleccionar menú o modo

Sélectionner menu ou mode

OK

Confirm or enter

Bestätigen oder öffnen

Confirmer o entrar

Confirmer ou saisir



Blue = Power on

Blau = Strom eingeschaltet

Azul = ENCENDIDO

Bleu = Sous tension



RAID mode lock

RAID-Modus Sperre

Bloqueo del modo RAID

Verrouillage mode RAID

Rear View - Rückansicht Vista posterior - Vue arrière

USB 2.0

USB 2.0 High Speed port
USB 2.0 High Speed Anschluss
Puerto de USB 2.0 High Speed
Port USB 2.0 High Speed

FW400/800

FireWire 400/800 ports
FireWire 400/800 Anschlüsse
Puertos FireWire 400/800
Ports FireWire 400/800

eSATA

eSATA port
eSATA Anschluss
Puerto de eSATA
Port eSATA

AC: 100~240V

Power receptacle
Netzanschluss
Toma de alimentación
Prise de courant

ON/OFF

ON/OFF switch
Ein-/Ausschalter
Conmutador de ENCENDIDO y APAGADO
Interrupteur MARCHE/ARRÊT



Kensington security slot
Öffnung für Kensington-Schloss
Conector de seguridad Kensington
Encoche de Sécurité Kensington

Note:

Only one interface can be used at any given time (for example USB, FireWire or eSATA).

Hinweis:

Es kann nur eine Schnittstelle zur selben Zeit verwendet werden (zum Beispiel USB, FireWire oder eSATA).

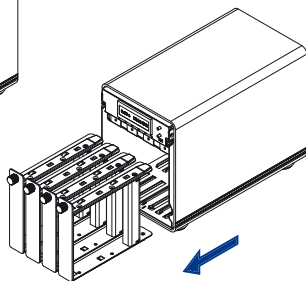
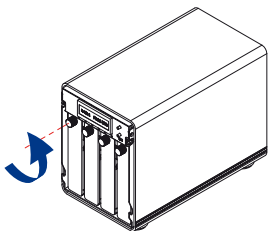
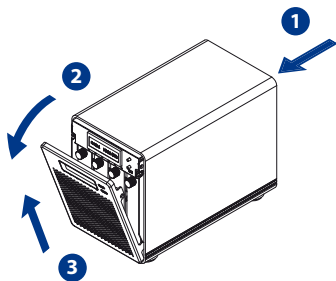
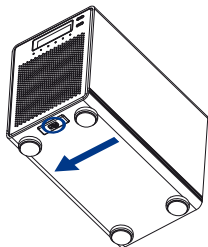
Nota:

Solamente puede utilizar una interfaz a la vez (por ejemplo USB, FireWire o eSATA).

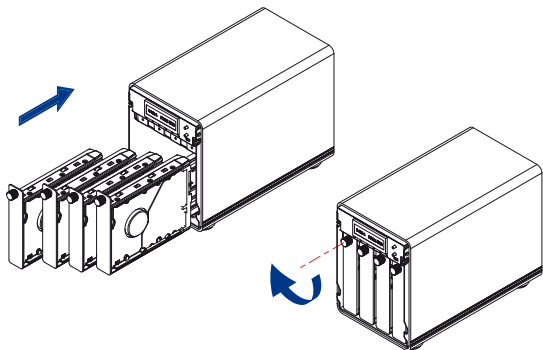
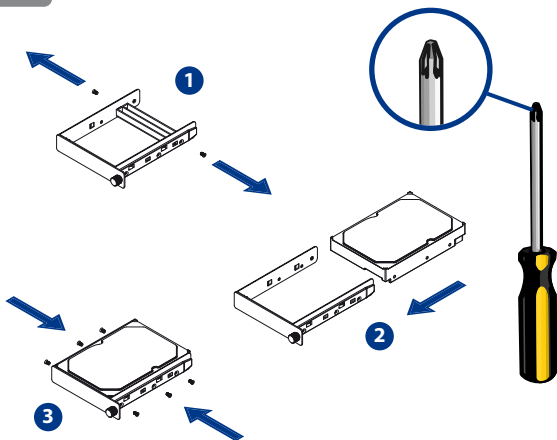
Note:

Vous ne pouvez utiliser qu'une seule interface à la fois (par exemple USB, FireWire ou eSATA).

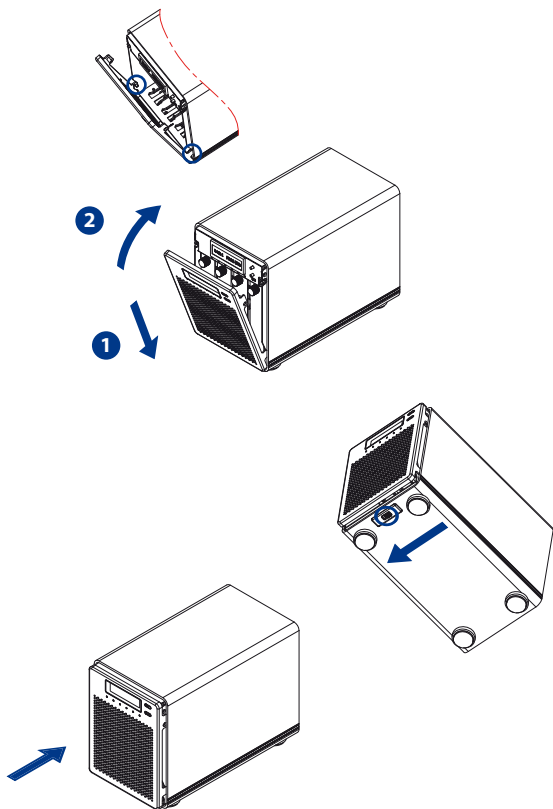
1



2



3



4



2 RAID Set ▶ 

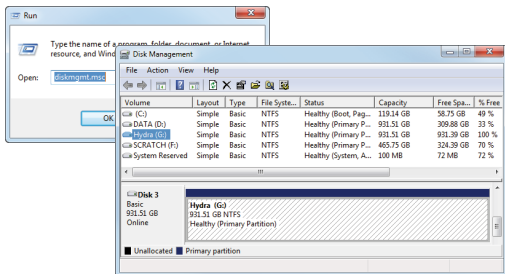
3 Power ON ▶ 

4 Select ▶ Select ▶ Select ▶ OK ▶ Select ▶

RAID Mode Setup
RAID 10
Enter>

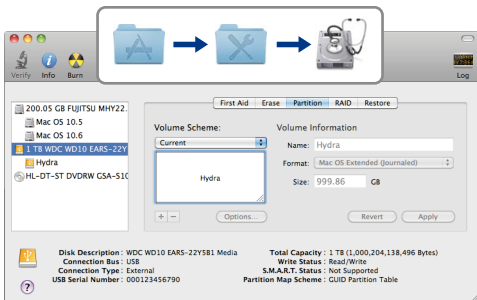
Windows

1. Start / Run --> diskmgmt.msc
2. NTFS



Mac

1. Applications / Utilities --> Disk Utility
2. Mac OS Extended (HFS+)



For more detailed instructions, please visit our website at
<http://www.akitio.com/information-center/formatting-external-hard-drives>